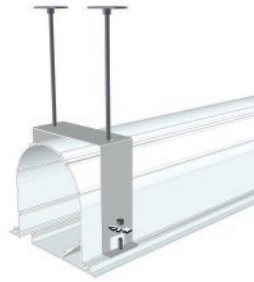




Fixing system for installations in false ceilings, which won't be accessible from the inside.



Fixing system for installations in false ceilings, which will be accessible from the inside.

MFTS™ Patented quality tensioning system

Tensioning system consisting of a double lower bar and tensioning cables. Lower bar consist of two weights, one of which is responsible for the vertical force of the material and the other associated with the tensioning cable system is responsible for the flatness of the material horizontally.

Max Inceel MFTS is a big size in-ceiling motorized screen studied to disappear into a false ceiling and be visible only when it is in use, representing an aesthetical and functional innovative solution. The tab-tensioned version comes with black borders included and the maximum size available is 568 cm of viewing area.

The very easy mounting system simplify all the installations stages, making this product user friendly, considering the remarkable size. Max Inceel MFTS can be equipped with two different fixing system, according to the intallation needs.

Fixing system for installations in false ceilings, which won't be accessible from the inside.

See page **82**
for Technical data

Create your own screen with the PSS

- > **Personalized dimensions:** width and height
- > **Motor type:** standard motor
- > **Case:** available only with case
- > **Case color:** standard in White Grinz. Optional in any other color for an extra cost
- > **Standard Drop:** from 10 to 20 cm
- > **Projection surface fall:** back (standard), front or reverse-roll (optional)
- > **Side of command/motor:** right only

Projection Surfaces (see page 6)

- > VisionWhite
- > VisionAcoustik / VisionMacroAcoustik

Standard Accessories

- > Kit containing eight 50 cm threaded bars for installation with maximum height of 1 m
- > Unipolar switch
- > End plates for closing the plasterboard

Optional Accessories

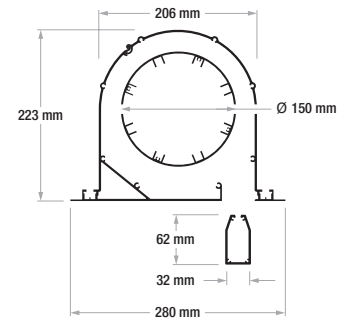
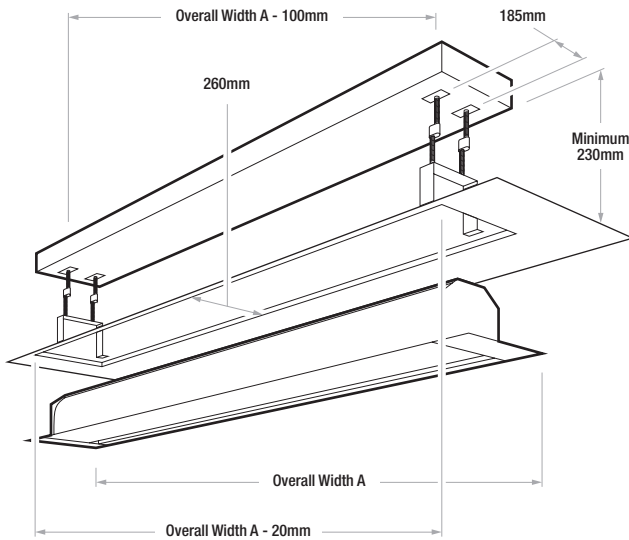
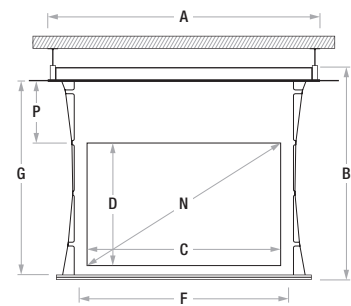
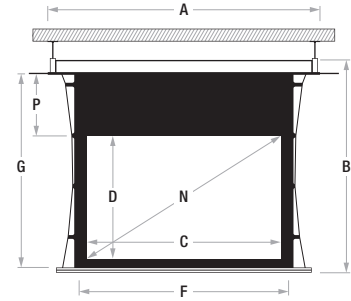
- > Interface to drive the screen in radio frequency with remote control (not included), 12V trigger, unipolar switch, dry contact or RS232
- > Receiver and infrared remote control
- > Extension brackets for screens up to 60 cm

PSS Formats

1:1	1.33:1	1.60:1	1.78:1	2.35:1	2.37:1	2.40:1
	4:3	16:10	16:9	21:9		

Max Inceel MFTS Max Floating Tensio System with 50 mm borders / without borders

Aspect Ratio	Viewing Width	Viewing Height	Diagonal Inches	Overall Width	Overall Height	Surface Width	Surface Height	Standard Drop	Extra Maximum Drop	Packaging Dimensions	Net Weight	Gross Weight
	C	D	N	A	B	F	G	P	mm	mm	kg	kg
1,33 (4:3)	4680	3519	231	5200	3926	4780	3669	100	200	5380X320X290	76	101
	5180	3895	255	5700	4302	5280	4045	100	200	5880X320X290	84	109
	5680	4271	280	6200	4678	5780	4421	100	200	6380X320X290	92	117
1,6 (16:10)	4680	2925	217	5200	3332	4780	3075	100	200	5380X320X290	74	99
	5180	3238	240	5700	3645	5280	3388	100	200	5880X320X290	82	107
	5680	3550	264	6200	3957	5780	3700	100	200	6380X320X290	90	115
1,78 (16:9)	4680	2629	211	5200	3036	4780	2779	100	200	5380X320X290	74	99
	5180	2910	234	5700	3317	5280	3060	100	200	5880X320X290	82	107
	5680	3191	256	6200	3598	5780	3341	100	200	6380X320X290	90	115
2,35 (21:9)	4680	1991	200	5200	2398	4780	2141	100	200	5380X320X290	73	98
	5180	2204	222	5700	2611	5280	2354	100	200	5880X320X290	81	106
	5680	2417	243	6200	2824	5780	2567	100	200	6380X320X290	89	114
2,37	4680	1975	200	5200	2382	4780	2125	100	200	5380X320X290	73	98
	5180	2186	221	5700	2593	5280	2336	100	200	5880X320X290	81	106
	5680	2397	243	6200	2804	5780	2547	100	200	6380X320X290	89	114
2,39	4680	1958	200	5200	2365	4780	2108	100	200	5380X320X290	73	98
	5180	2167	221	5700	2574	5280	2317	100	200	5880X320X290	81	106
	5680	2377	242	6200	2784	5780	2527	100	200	6380X320X290	89	114
2,40	4680	1950	200	5200	2357	4780	2100	100	200	5380X320X290	73	98
	5180	2158	221	5700	2565	5280	2308	100	200	5880X320X290	81	106
	5680	2367	242	6200	2774	5780	2517	100	200	6380X320X290	89	114



Surface Fireproof Certifications