

Two screens in one. Biformat is designed to satisfy the most demanding spectators of home cinema. Inside the same case are two distinct projection surfaces of different formats, bordered with special non-varnished anti-reflective black edges. These enable to enhance the contrast of the projected image much more effectively than traditional 30 or 50 mm edges. In addition to being positioned in direct contact with each other, to avoid focus loss, the projection surfaces are fixed to the roller, so as to eliminate the risk of horizontal crease marks. Furthermore, the front drop of the surface and the vertical alignment of the rollers ensure planarity. The motorized rolling is controlled through a wall-mounted switch or an integrated radio receiver.

Worthy of note is the white (RAL 9016) case, with brushed aluminium lateral ends, which completely mask the screws. Owing to the practical anchoring system, use is immediately possible.



Brushed Aluminium Ends ▲

See page **90** for Technical data

All you need to do is choose among the numerous formats available:

- > 1.33 NTSC PAL 4:3
- > 1.78 HDTV 16:9
- > 2.35 Cinemascope 21:9

Create your own screen with the PSS

- > **Personalized dimensions:** width
- > **Motor type:** standard or radio integrated (optional)
- > **Case:** available only with case
- > **Case color:** standard in gloss white. Optional in any other color for an extra cost
- > **Standard Drop:** from 10 to 40 cm
- > **Projection surface fall:** front only
- > **Side of command/motor:** right only
- > **Special option:** Deco Print

Projection Surfaces (see page 6)

- > VisionWhite / VisionWhitePro
- > ReferenceWhite / ReferenceGrey
- > VisionAcoustik
- > VisionRear DB and VisionRear, only without black borders

Standard Accessories

- > Kit with wall or ceiling quick mount brackets
- > 2 unipolar selector switches
- > Remote control (only for radio-integrated version)

Optional Accessories

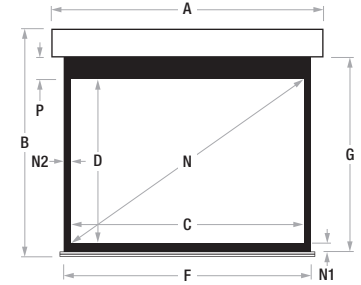
- > Extension brackets for screens up to 60 cm
- > Receiver and RF remote control for motorized screen (3 modalities: basic, automatic and compatible with domotic systems)
- > Receiver and infrared remote control

PSS Formats

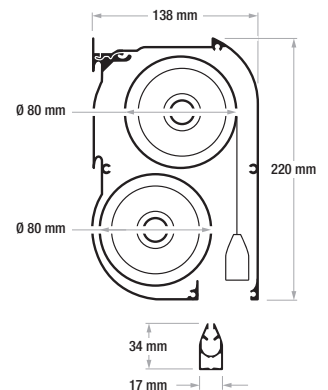
1.33:1	1.78:1	2.35:1
4:3	16:9	21:9

Biformat 50 mm borders

	Max Viewing Width	Max Viewing Height	Max Overall Width	Max Overall Height	Max Surface Width	Max Surface Height	Standard Drop	Total Maximum Drop	Packaging Dimensions	Net Weight	Gross Weight
	C	D	A	B	F	G	P	mm	mm	kg	kg
Biformat	2080	2080	2250	2484	2090	2230	100	400	2258x300x330	34	39
	2330	2330	2500	2734	2340	2480	100	400	2508x300x330	40	45
	2580	2580	2750	2984	2590	2730	100	400	2758x300x330	47	52
	2830	2830	3000	3234	2840	2980	100	400	3008x300x330	55	60
	3080	3080	3250	3484	3090	3230	100	400	3258x300x330	58	63
	3330	3330	3500	3734	3340	3480	100	400	3508x300x330	60	65



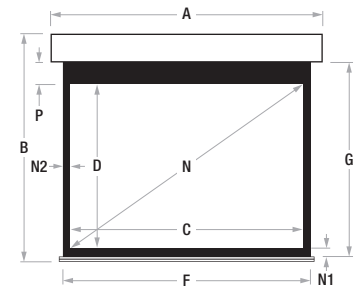
Configuration Examples Overall Width	Native Format	Ratio	Net Surface Width		Diagonal Inches	Standard Drop	Bottom Black Border		Lateral Black Borders	2° Format	Ratio	Net Surface Width		Diagonal Inches	Standard Drop	Bottom Black Border	Lateral Black Borders
			C	D			N	P				N1	N2				
2250	4:3	1,33	2080	1564	102	100	50	50	16:9	1,78	2080	1169	94	298	50	50	
	4:3	1,33	2080	1564	102	100	50	50	21:9	2,35	2080	885	89	439	50	50	
	16:9	1,78	2080	1169	94	100	50	50	21:9	2,35	2080	885	89	242	50	50	
	16:9	1,78	2080	1169	94	100	50	50	4:3	1,33	1554	1169	77	100	50	313	
	21:9	2,35	2080	885	89	100	50	50	16:9	1,78	1575	885	71	100	50	302	
	21:9	2,35	2080	885	89	100	50	50	4:3	1,33	1177	885	58	100	50	501	
2500	4:3	1,33	2330	1752	115	100	50	50	16:9	1,78	2330	1309	105	321	50	50	
	4:3	1,33	2330	1752	115	100	50	50	21:9	2,35	2330	991	100	480	50	50	
	16:9	1,78	2330	1309	105	100	50	50	21:9	2,35	2330	991	100	259	50	50	
	16:9	1,78	2330	1309	105	100	50	50	4:3	1,33	1741	1309	86	100	50	376	
	21:9	2,35	2330	991	100	100	50	50	16:9	1,78	1765	991	80	100	50	333	
	21:9	2,35	2330	991	100	100	50	50	4:3	1,33	1319	991	65	100	50	556	
2750	4:3	1,33	2580	1940	127	100	50	50	16:9	1,78	2580	1449	117	345	50	50	
	4:3	1,33	2580	1940	127	100	50	50	21:9	2,35	2580	1098	110	521	50	50	
	16:9	1,78	2580	1449	117	100	50	50	21:9	2,35	2580	1098	110	276	50	50	
	16:9	1,78	2580	1449	117	100	50	50	4:3	1,33	1928	1449	95	100	50	376	
	21:9	2,35	2580	1098	110	100	50	50	16:9	1,78	1954	1098	88	100	50	363	
	21:9	2,35	2580	1098	110	100	50	50	4:3	1,33	1460	1098	72	100	50	610	
3000	4:3	1,33	2830	2128	139	100	50	50	16:9	1,78	2830	1590	128	369	50	50	
	4:3	1,33	2830	2128	139	100	50	50	21:9	2,35	2830	1204	121	562	50	50	
	16:9	1,78	2830	1590	128	100	50	50	21:9	2,35	2830	1204	121	293	50	50	
	16:9	1,78	2830	1590	128	100	50	50	4:3	1,33	2115	1590	104	100	50	408	
	21:9	2,35	2830	1204	121	100	50	50	16:9	1,78	2144	1204	97	100	50	393	
	21:9	2,35	2830	1204	121	100	50	50	4:3	1,33	1602	1204	79	100	50	664	
3250	4:3	1,33	3080	2316	152	100	50	50	16:9	1,78	3080	1730	139	393	50	50	
	4:3	1,33	3080	2316	152	100	50	50	21:9	2,35	3080	1311	132	603	50	50	
	16:9	1,78	3080	1730	139	100	50	50	21:9	2,35	3080	1311	132	310	50	50	
	16:9	1,78	3080	1730	139	100	50	50	4:3	1,33	2301	1730	114	100	50	439	
	21:9	2,35	3080	1311	132	100	50	50	16:9	1,78	2333	1311	105	100	50	424	
	21:9	2,35	3080	1311	132	100	50	50	4:3	1,33	1743	1311	86	100	50	718	
3500	4:3	1,33	3330	2504	164	100	50	50	16:9	1,78	3330	1871	150	416	50	50	
	4:3	1,33	3330	2504	164	100	50	50	21:9	2,35	3330	1417	142	643	50	50	
	16:9	1,78	3330	1871	150	100	50	50	21:9	2,35	3330	1417	142	327	50	50	
	16:9	1,78	3330	1871	150	100	50	50	4:3	1,33	2488	1871	123	100	50	471	
	21:9	2,35	3330	1417	142	100	50	50	16:9	1,78	2522	1417	114	100	50	454	
	21:9	2,35	3330	1417	142	100	50	50	4:3	1,33	1885	1417	93	100	50	773	



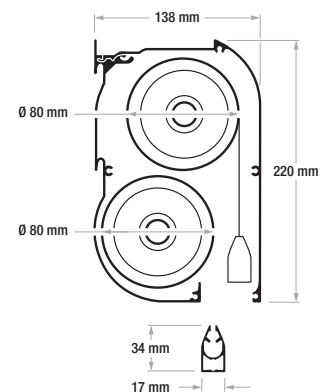
Surface Fireproof Certifications

Biformat 70 mm borders

	Max Viewing Width	Max Viewing Height	Max Overall Width	Max Overall Height	Max Surface Width	Max Surface Height	Standard Drop	Total Maximum Drop	Packaging Dimensions	Net Weight	Gross Weight
	C	D	A	B	F	G	P	mm	mm	kg	kg
Biformat	2040	2040	2250	2464	2050	2210	100	400	2258x300x330	34	39
	2290	2290	2500	2714	2300	2460	100	400	2508x300x330	40	45
	2540	2540	2750	2964	2550	2710	100	400	2758x300x330	47	52
	2790	2790	3000	3214	2800	2960	100	400	3008x300x330	55	60
	3040	3040	3250	3464	3050	3210	100	400	3258x300x330	58	63
	3290	3290	3500	3714	3300	3460	100	400	3508x300x330	60	65



Configuration Examples Overall Width	Native Format	Ratio	Net Surface Width	Net Surface Height	Diagonal Inches	Standard Drop	Bottom Black Border	Lateral Black Borders	2° Format	Ratio	Net Surface Width	Net Surface Height	Diagonal Inches	Standard Drop	Bottom Black Border	Lateral Black Borders
			C	D							N	P				
2250	4:3	1,33	2040	1534	100	100	70	70	16:9	1,78	2040	1146	92	294	70	70
	4:3	1,33	2040	1534	100	100	70	70	21:9	2,35	2040	868	87	433	70	70
	16:9	1,78	2040	1146	92	100	70	70	21:9	2,35	2040	868	87	239	70	70
	16:9	1,78	2040	1146	92	100	70	70	4:3	1,33	1524	1146	75	100	70	328
	21:9	2,35	2040	868	87	100	70	70	16:9	1,78	1545	868	70	100	70	317
	21:9	2,35	2040	868	87	100	70	70	4:3	1,33	1155	868	57	100	70	513
2500	4:3	1,33	2290	1722	113	100	70	70	16:9	1,78	2290	1287	103	318	70	70
	4:3	1,33	2290	1722	113	100	70	70	21:9	2,35	2290	974	98	474	70	70
	16:9	1,78	2290	1287	103	100	70	70	21:9	2,35	2290	974	98	256	70	70
	16:9	1,78	2290	1287	103	100	70	70	4:3	1,33	1711	1287	84	100	70	359
	21:9	2,35	2290	974	98	100	70	70	16:9	1,78	1735	974	78	100	70	348
	21:9	2,35	2290	974	98	100	70	70	4:3	1,33	2196	974	64	100	70	567
2750	4:3	1,33	2540	1910	125	100	70	70	16:9	1,78	2540	1427	115	341	70	70
	4:3	1,33	2540	1910	125	100	70	70	21:9	2,35	2540	1081	109	514	70	70
	16:9	1,78	2540	1427	115	100	70	70	21:9	2,35	2540	1081	109	273	70	70
	16:9	1,78	2540	1427	115	100	70	70	4:3	1,33	1898	1427	93	100	70	391
	21:9	2,35	2540	1081	109	100	70	70	16:9	1,78	1924	1081	87	100	70	378
	21:9	2,35	2540	1081	109	100	70	70	4:3	1,33	1438	1081	71	100	70	621
3000	4:3	1,33	2790	2098	137	100	70	70	16:9	1,78	2790	1567	126	365	70	70
	4:3	1,33	2790	2098	137	100	70	70	21:9	2,35	2790	1187	119	555	70	70
	16:9	1,78	2790	1567	126	100	70	70	21:9	2,35	2790	1187	119	290	70	70
	16:9	1,78	2790	1567	126	100	70	70	4:3	1,33	2085	1567	103	100	70	423
	21:9	2,35	2790	1187	119	100	70	70	16:9	1,78	2113	1187	95	100	70	408
	21:9	2,35	2790	1187	119	100	70	70	4:3	1,33	1579	1187	78	100	70	675
3250	4:3	1,33	3040	2286	150	100	70	70	16:9	1,78	3040	1708	137	389	70	70
	4:3	1,33	3040	2286	150	100	70	70	21:9	2,35	3040	1294	130	596	70	70
	16:9	1,78	3040	1708	137	100	70	70	21:9	2,35	3040	1294	130	307	70	70
	16:9	1,78	3040	1708	137	100	70	70	4:3	1,33	2271	1708	112	100	70	454
	21:9	2,35	3040	1294	130	100	70	70	16:9	1,78	2303	1294	104	100	70	439
	21:9	2,35	3040	1294	130	100	70	70	4:3	1,33	1721	1294	85	100	70	730
3500	4:3	1,33	3290	2474	162	100	70	70	16:9	1,78	3290	1848	149	413	70	70
	4:3	1,33	3290	2474	162	100	70	70	21:9	2,35	3290	1400	141	637	70	70
	16:9	1,78	3290	1848	149	100	70	70	21:9	2,35	3290	1400	141	324	70	70
	16:9	1,78	3290	1848	149	100	70	70	4:3	1,33	2458	1848	121	100	70	486
	21:9	2,35	3290	1400	141	100	70	70	16:9	1,78	2492	1400	113	100	70	469
	21:9	2,35	3290	1400	141	100	70	70	4:3	1,33	1862	1400	92	100	70	784



Surface Fireproof Certifications